

- Active Matrix LCD Screens
- 8.4" through 15" Displays
- 800 x 600 – 1280 x 1024 Resolution
- High Contrast/High Brightness For Exceptional Display Quality
- Desktop, Rack and Panel Mount Configurations
- Capacitive and Resistive Touch Screens (optional)
- Video and S-Video In (optional)
- All in the Space Saving and Ergonomic Benefits of Flat Panel Technology
- Industrial, NEMA, and Mil-Spec ratings



The color flat panel monitors from Industrial Computing offer impressive display quality, superior space utilization and a wide variety of screen sizes and resolutions. These displays are designed to meet the most demanding graphic applications. The monitors are available in ruggedized and shock-mounted configurations, for a range of industrial, airborne and military applications. With a slim profile and a wide variety of mounting methods, the Industrial Computing flat panel monitors can be mounted in almost any environment, especially where space is at a premium.

Industrial Computing's flat panel displays are designed to provide specific advantages to serious users. Displays are available with touch screens, rugged shock-mounted housings, rack-mounts, daylight viewable screens, video inputs, and special OEM configurations. Installations range from desktop to Mil-Spec applications.

As a supplier to major industrial users, military contractors, defense agencies, and financial institutions, we are experienced in providing specialized display products. Industrial Computing provides a range of sizes and capabilities to allow it to supply exactly what is needed in a given application. By concentrating on supplying a product based upon commercial off the shelf (COTS) subassemblies, we can very cost-effectively approach most requirements.

Industrial Computing

260 Bear Hill Road • Waltham, Massachusetts 02451
Tel. (781) 890-3111 • Fax: (781) 890-7117
www.industcomputing.com

Metal Frame TFT LCD Series

Heavy-Duty Steel Chassis

- Range: 8.4"/10.4"/12.1"/15"
- Heavy-Duty Steel Chassis
- Optional Touch Screen
- Choice of Strengthened Glass to Protect LCD Displays
- Mounting: VESA mount / Wall mount / Rack mount
Stand Alone / (Optional 19" Rack mount Kits and Stand Base Available)



Key Pad



Optional Accessories



Anti-Reflection Strengthened Glass

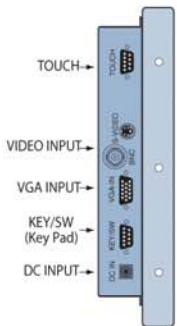


Stand Base

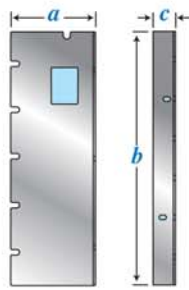


19" Rack Bracket Kit

Signal Panel

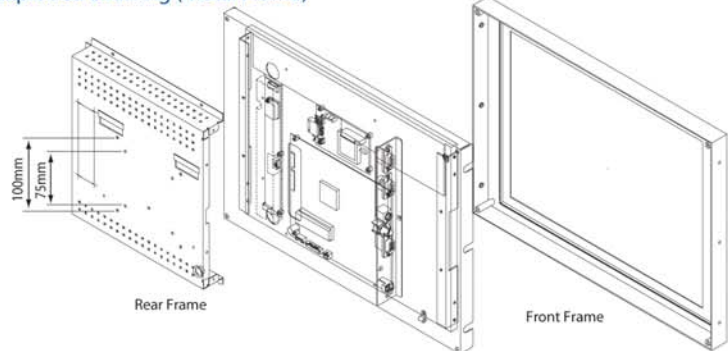


Bracket Size Depends on Model



Model	a	b	c	Unit
HI-64	133.3	162.5	18	
HI-84	121.7	172.6	18	
HI-10	104.5	200	18	
HI-12	76	240	23	
HI-15	49.8	285.4	25	

Exploded Drawing (Metal Frame)



Model	FP-AM 8	FP-AM 10	FP-AM 12	FP-AM 15
LCD Panel *	8.4" TFT	10.4" TFT	12.1" TFT	15" TFT
Pixel Pitch	0.213 X 0.213 mm	0.264 X 0.264 mm	0.3075 X 0.3075 mm	0.297 X 0.297 mm
Resolution	800 X 600 SVGA	800 X 600 SVGA	800 X 600 SVGA	1024 X 768 XGA
Effective Display Area	170.4 X 127.8 mm	211.2 X 158.4 mm	246.0 X 184.5 mm	304.1 X 228.1 mm
Color	262,144	262,144	262,144	262,144
Response Time(tr/TF)	10/25ms	10/25 ms	10/25 ms	4+12 ms
Contrast Ratio	500:1	500:1	500:1	500:1
Brightness	220 cd/m ²	230 cd/m ²	400 cd/m ²	350 cd/m ²
View Angle	T: 60° B: 40° L: 60° R: 60°	T: 35° B: 65° L: 60° R: 60°	T: 50° B: 60° L: 70° R: 70°	T: 40° B: 60° L: 60° R: 60°
Backlight	1 CCFL	1 CCFL	2 CCFL	2 CCFL
Lamp Life	20000 hrs	20000 hrs	50000 hrs	50000 hrs
Input Signal	Analog VGA & Video (Composite Video System PAL / NTSC / SECAM)			
Input Connector	D-Sub 15Pin, BNC Jack, S-VHS Din Type			
Scan Frequency	H: 31.5~48KHz / V: 56~75Hz	H: 31.5~48KHz / V: 56~75Hz	H: 31.5~48KHz / V: 56~75Hz	H: 31.5~60KHz / V: 56~75Hz
Control	On Screen Display			
Power Adaptor	AC 100~240 V, 50/60Hz			
Power Input	Terminal Block Input DC 12V ± 5%, 24V~35V ; 35V ± 5%			
Power Management	VESA DPMS Standard			
Consumption	11W / Stand by 1 w	12W / Stand by 1 w	18W / Stand by 1 w	23W / Stand by 1 w
Operating Temperature/Humid	0 ~ 50°C / 20 ~ 85%RH			
Storage Temperature/Humidity	-20 ~ 60°C / 10 ~ 90%RH			
Sync Signal	TTL Level +/- Polarity			
Scanning	Non-Interlace			
Dimension(mm)(WxHxD)	235.6 x 172.6 x 58	270 x 200 x 59	330 x 240 x 55	379.4 x 285.4 x 57
Net Weight(Kg)	1.8	2.0	3.2	4.2
Safety & EMI	CE (EMC+LVD) / FCC	CE (EMC+LVD) / FCC	CE (EMC+LVD) / FCC	CE (EMC+LVD) / FCC / ETL
Vibration	10Hz / One-way 1m/m			
Pixel (MHz)	50 MHz	50 MHz	50 MHz	78.75 MHz
Content	LCD Monitor, Key Pad, VGA Cable, Power Adaptor			
Optional	Touch Panel / Strengthened Glass			

* Panel Spec. depends on MFC
Specification subject to change without notice.

